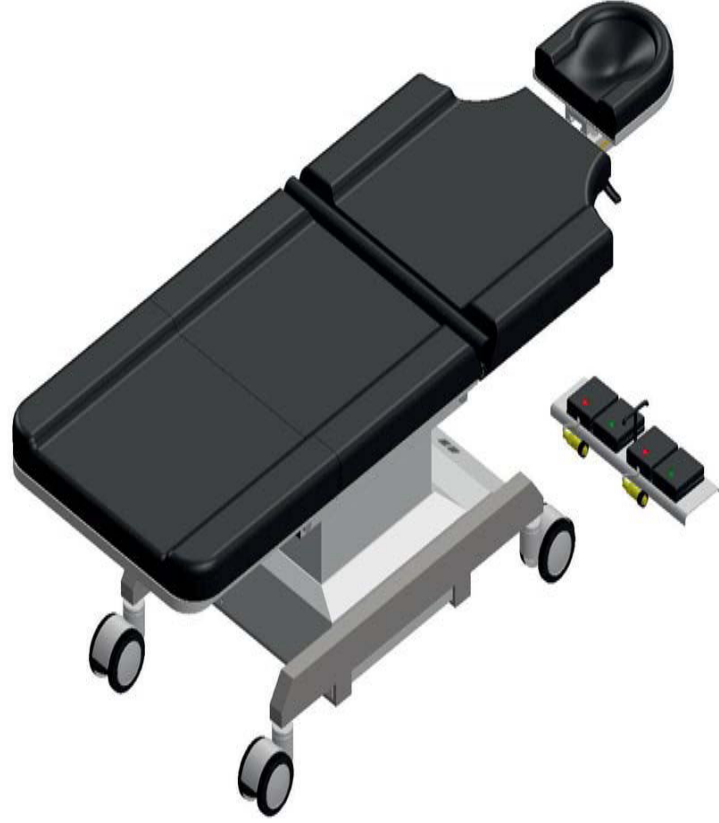


**USER
MANUAL**

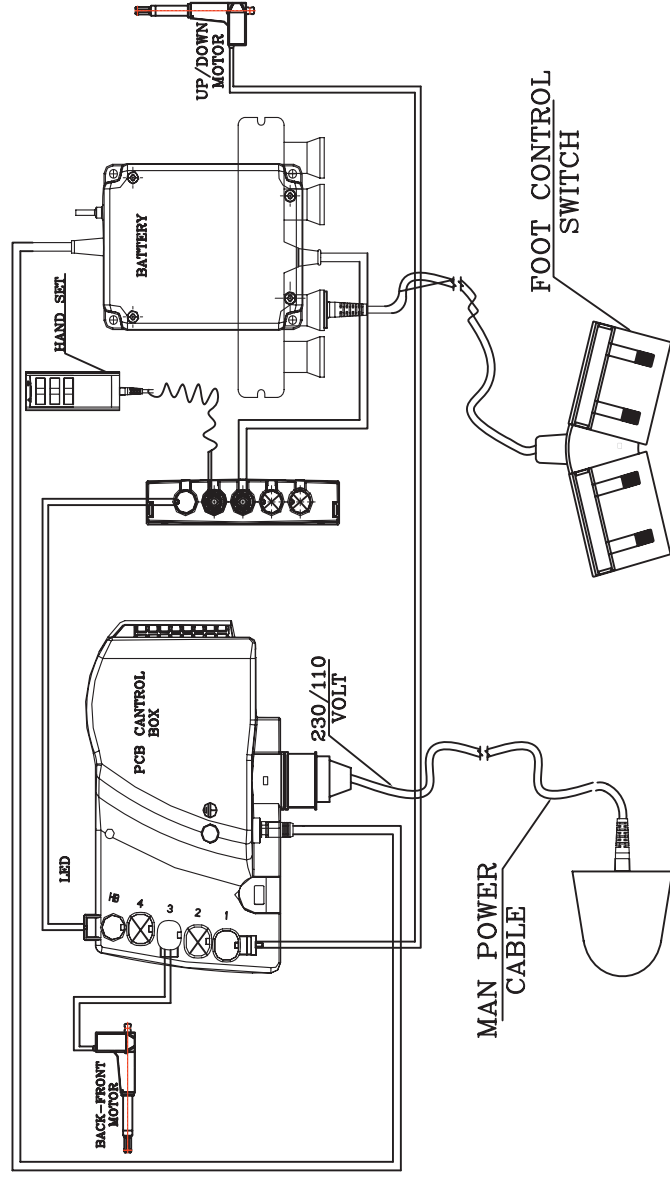
**OT-2001
OPHTHALMIC
OPERATION
CHAIRS**



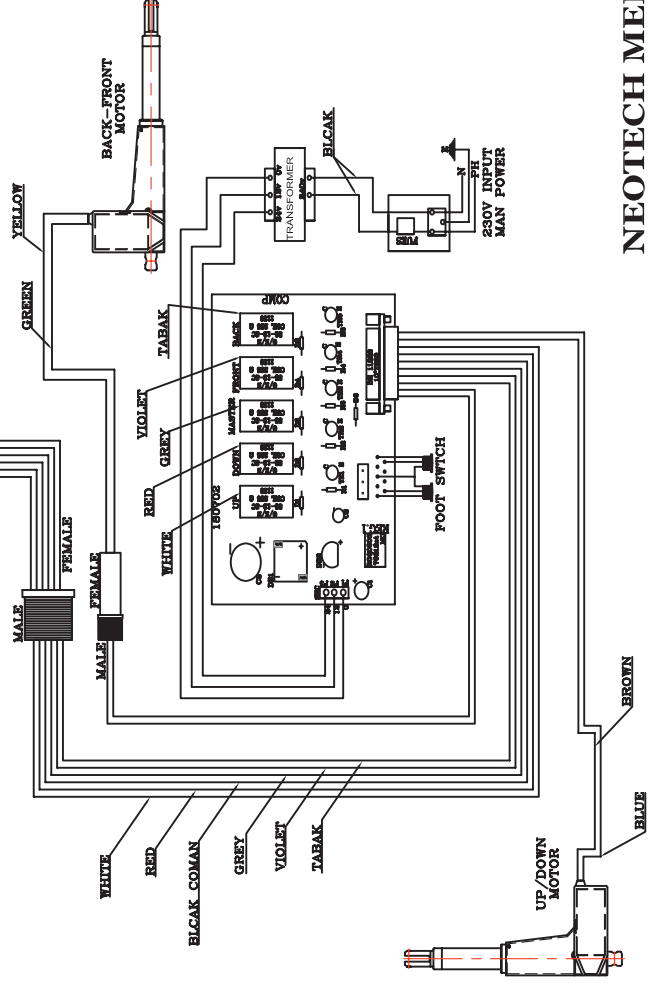
**NEOTECH
MEDICAL
PVT. LTD.**



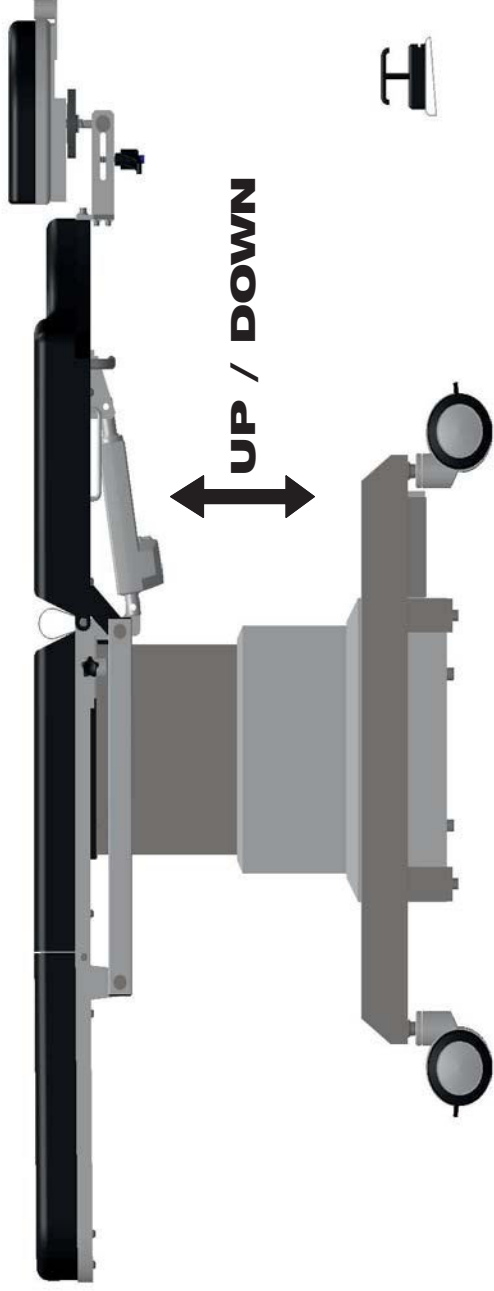
LED REMAIN GREEN DRAWING CHARGING
 LED TURNS RED COLOR WHILE OPERATING OT

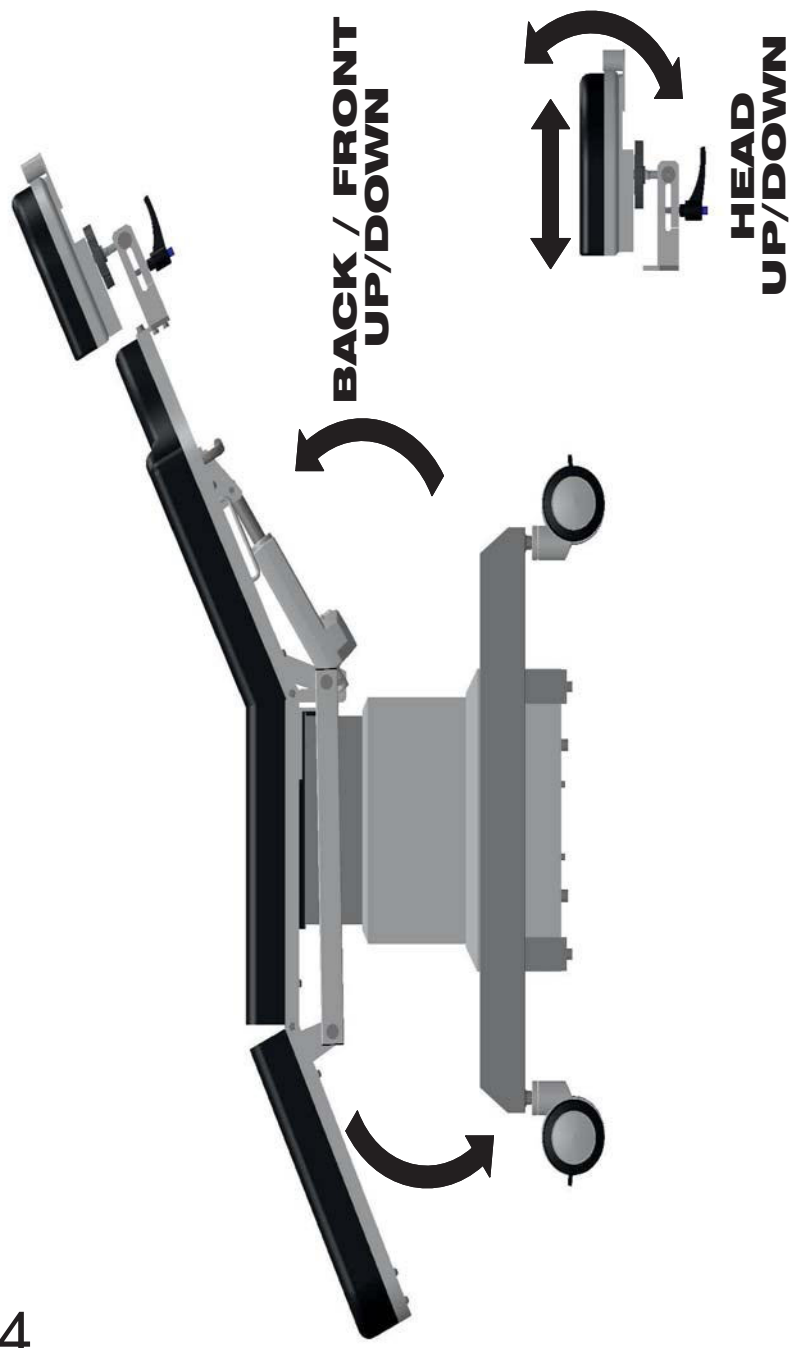


OT 2001 WIRING DIAGRAM
WITHOUT BATTERY
HAND CONTROL

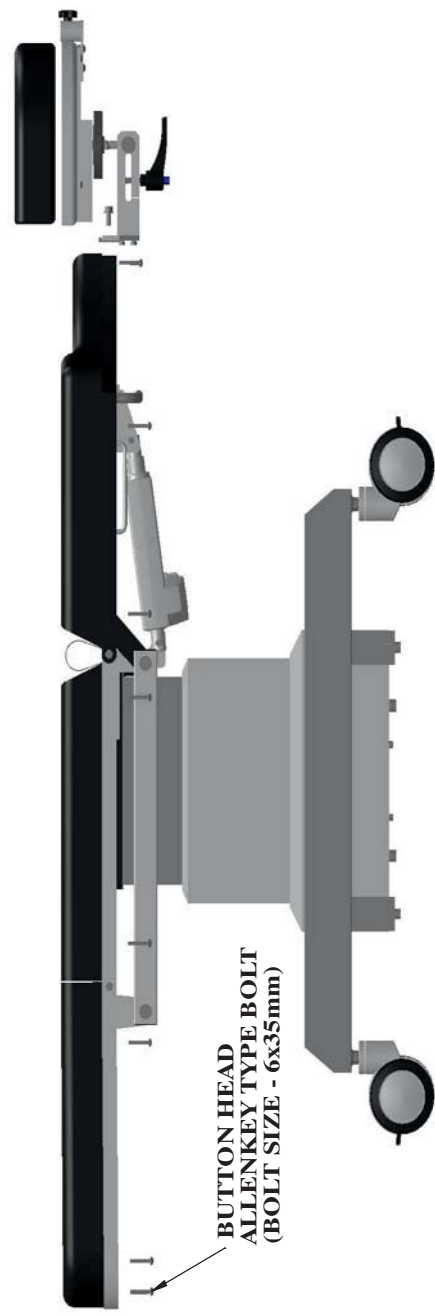


NEOTECH MEDICAL PVT. LTD.



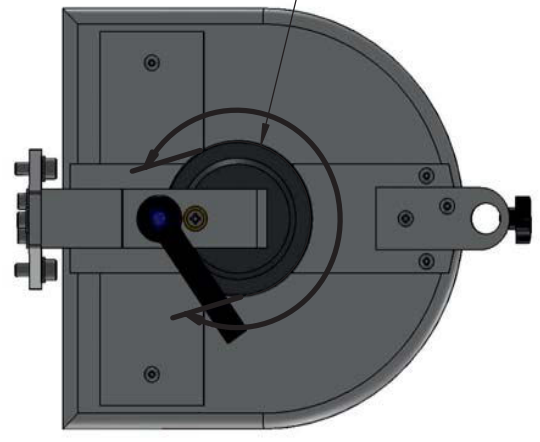


SEAT OF HEAD REST INSTALLATION MANUAL DETAIL



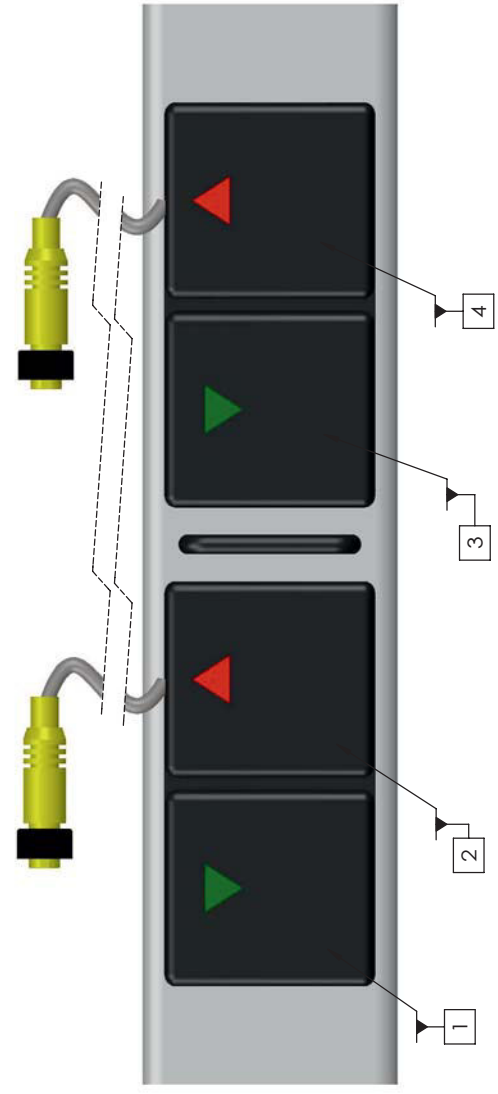
HEAD MANUAL DETAIL

Loose The Nut And
Push / Pull The Sliding Pat



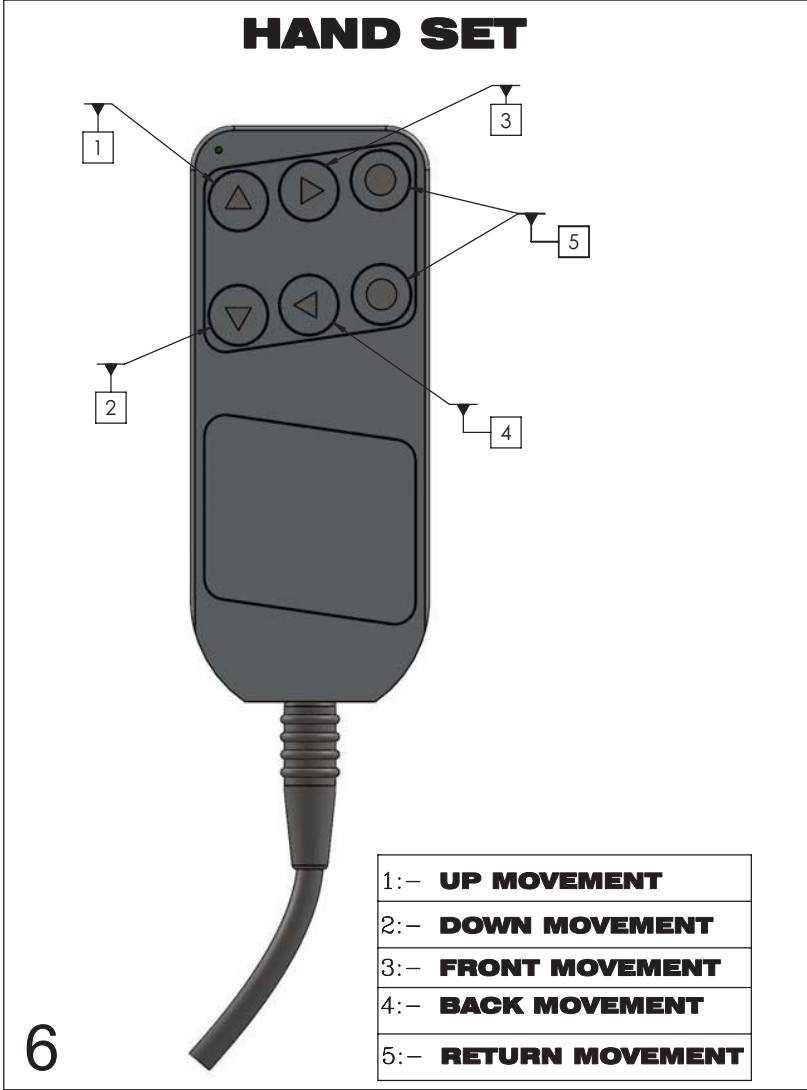
8

FOOT SWITCH

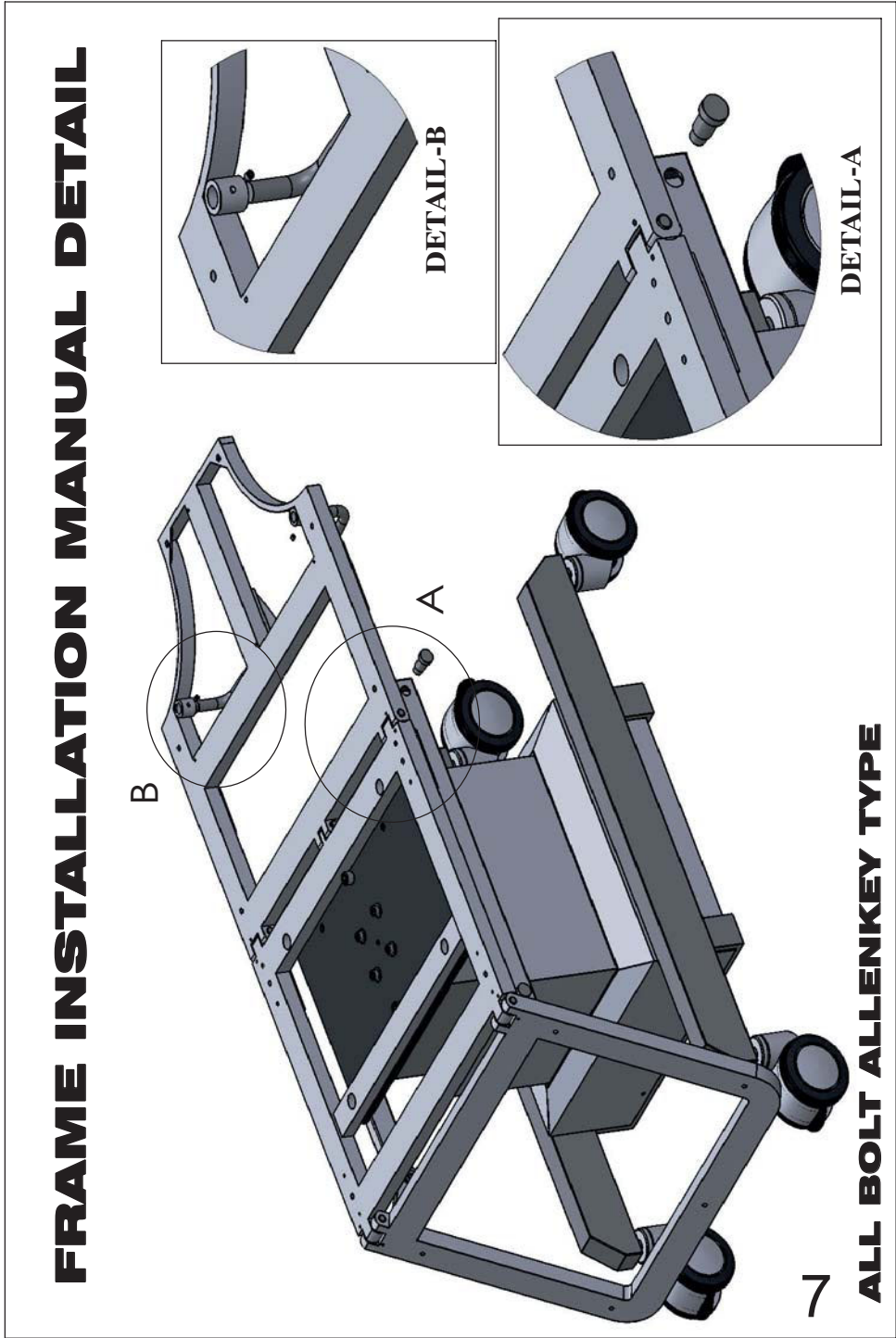


5

- 1:— FRONT MOVEMENT
- 2:— BACK MOVEMENT
- 3:— DOWN MOVEMENT
- 4:— UP MOVEMENT



6



7

ALL BOLT ALLENKEY TYPE