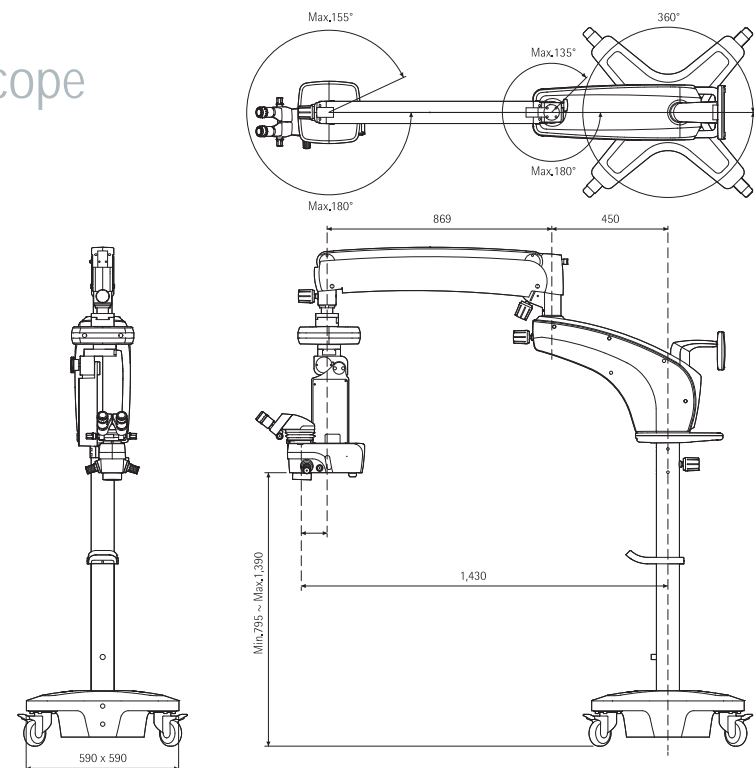


# Huvitz Operation Microscope HOM-700

## Dimensions



## Specifications

<b>Microscope</b>	
Magnification changer	Zoom 6:1, motor-driven: variable speed
Objectives	APO WD=200mm
PD adjustment	Knob adjustment
Observation tube	Binocular tube 5°~35° tilt
Eyepieces	for eyeglass wearers 10x/21mm
Total magnification	3.1x(min)~18.7x(max)
Field of view dia.	68.0mm(max)-11.1(min)mm
Illumination	2 halogen lamps, 12V/50W, 6° illumination blockable, IR protective filter fixed, 420 UV protective filter fixed, 475 UV protective filter switchable (optional), 2 slots for optional 32mm dia. Filters
Beam splitter	80% / 20% observation (optional)
Camera port	Focal length=58mm (optional)
<b>Swing arm</b>	
Maximum load	5.0kg accessories
Maximum reach	Approx. 1,430mm
Minimum transport height	Approx. 1,929mm
Arm brakes	3 mechanical articulation brakes with brake knob, 1 locking lever for vertical movement
Lift	Approx. 590mm
Balancing	Via gas spring
Turning range	Axis 1 (near column): No stop, Axis 2 (in the middle): +180/-135°, Axis 3 (over X,Y unit): +180/-155°
Tilt	±5° manual fine adjustment
<b>Base</b>	
Dimensions	Approx. 590 x 590mm, 4 movable rollers, 1 foot brakes, Castors (4 x Ø100mm)
<b>Display Panel</b>	
Display	7inch Color TFT-LCD, 800 x 480 RGB (touch screen)
Footswitch / Hand switch	12-function footswitch with longitudinal or lateral pedals, Optional: 6- and 16-function footswitch

Designs and details can be changed without prior notice for the purposes of improvement.

**Huvitz**

Innovative  
Ophthalmology  
Solutions

# Huvitz Operation Microscope HOM-700

Expand Your Vision  
with Precision Engineering

**Huvitz** Re:define. Re:create

## HOM-700 Operation Microscope

Innovative optical technology from Huvitz enhanced by industry experience in manufacturing and vision science solutions.

Ophthalmic surgeons will appreciate the intuitive and high performance optical systems now available for theatre use.



### High Performance, High Quality Optical System

The latest enhanced and up-to-date Huvitz optical system provides ophthalmic surgeons with high-resolution, outstanding color reproduction and low distortion images for precise diagnosis and operation. HOM-7000 is the optimum selection in your surgery.

### Ergonomic design supports every surgeon's desire for perfection.

HOM-700 incorporates workflow-conducive features that reduce preparation time for users before each surgical case. Surgeons can easily maneuver it in the clinical environment increasing efficiency and optimising theatre time. All microscope functions are easily and quickly accessible via an intuitive user interface through a large, HD touchscreen monitor including patient data, pre-configured surgeon settings and video recording. More than any other surgical microscope system, HOM-700 streamlines all surgical workflow and maximizes surgery efficiency.

### Stable Suspension Stand

Provides the surgeon with flexible movement to the desired location and unwavering stability for precise and reliable operations.

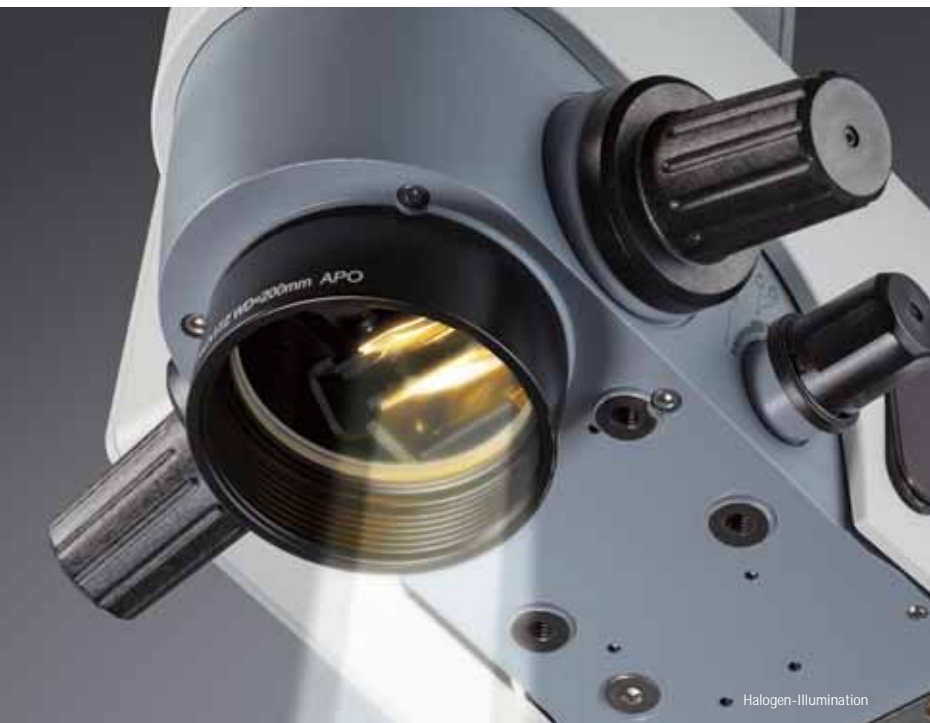
# High Performance

## High Performance beyond Expectations

HOM-700 is specifically conceived and designed for even the most demanding microsurgical applications. Extended system ergonomics and functions provide increased convenience, streamlining the surgical workflow.

All relevant functions are combined into a cohesive system that can be controlled from the intuitive user interface.

Smooth system handling and superior performance in the unequalled quality of the optical system, high resolution image and enhanced ergonomics improve comfort and performance.



## Optimized Halogen-Illumination System

The 70mm/12V/50W illumination design reduces shadowing in deep cavities and provides homogeneous and high quality illumination on the site of surgery.

Its outstanding retina refraction proves its worth during high-tempo surgery.

The anti-IR and UV blocking filter built into the illumination system prevents excessive heat and UV transmission for safe ophthalmic surgery.



## High Resolution Optical System

The state of the art optic system of HOM-700 offers surgeons comfortable observations by the outermost visual field (F.N 21mm) as its standard feature.

Clear images even in low-intensity illumination enables by sharp, crisp, high-resolution 3D observation provide an enhanced observation experience to surgeons.

Fine adjustment of the precision motorised zoom system is reliably and quickly achieved to present the desired magnification effortlessly.

## Advanced Color Reproduction

The apochromatic lens system developed by Huvitz allows surgeons the confidence to know they will not miss a single segment.

## Optimized Red Reflex

The instant and perfectly stable red reflex from the illuminator providing the optimum brightness and observation angle.

It implements high color contrast and resolution to present surgeons with a flawless surgical and clinical environment.

## User-friendly Lamp Replacement

Spare lamps are always on stand-by to prevent any interruption in procedure.

Surgeons can easily switch and immediately replace a lamp without any mechanical difficulty.

## Fatigue-free Surgery

The 10x21mm visual field of the eyepiece relieves surgeons eye-strain enabling extended operational periods without fatigue or concentration loss.

## Ergonomic Tilting Observation Tube (Optional)

5-35 degree tilting optical head helps surgeons to remain comfortable even during extended surgical procedures.

## Intelligent Design

The complete integration of workplace components as well as the ability to adapt emerging technologies present surgeons with a wide variety of solutions to meet all individual requirements. HOM-700 experience provides satisfaction in every clinical situation.



Foot Pedal Control

### Comfortable Foot Pedal Control

Hands-free surgery is achieved precisely and effortlessly. Brightness, magnification and focus adjustment by footswitch efficiently aids surgical procedures. (The lay-out of the foot pedal control can be modified by the built-in computerized control panel)



Rotatable Control Panel

Beam Splitter / Camera Port

X, Y, Z Axis Stroke

Sterilizable Knob

### Dependable Suspension Stand

High-end bearings utilized in the swing arm safety system and gas springs demonstrate HOM-700's true quality. Perfectly balanced even frequent stop and start movements are achieved smoothly and precisely.

### Auto Reset Intelligent Function

At the completion of a surgical procedure every function is automatically reset by the swing arm handily lifting for the next operation.

### Straightforward GUI Display

Built-in, rotatable 7 inch color TFT LCD control panel(+180°/-135°) provides easy, straightforward operation as well as reliability and efficiency for predictable visual outcomes. The intuitive touch screen GUI is designed for comprehensive observation with a single glance. Custom settings allow up to 4 surgeons individual parameters to be saved and recalled effortlessly.

### Beam Splitter (Optional)

The transmission rate segment function-observed in 80%, camera 20% function, allows surgeons to connect external video devices. (F=58mm Camera port: optional)

### Compact Base

Its compact, flexible and robust design is suited for every clinical environment. The centroidal design of the base keeps the stand reliably maintained and minimizes any possibility of vibration.