



US00D659840S

(12) **United States Design Patent**
Cheng et al.

(10) **Patent No.:** **US D659,840 S**

(45) **Date of Patent:** **** May 15, 2012**

(54) **DIGITAL DIAGNOSTIC DEVICE**

(75) Inventors: **Chu-Ming Cheng**, Hsinchu (TW);
Che-Jung Kuo, Hsinchu (TW);
Chih-Lu Hsu, Hsinchu (TW);
Long-Sheng Liao, Hsinchu (TW);
Yu-Tsung Lee, Hsinchu (TW);
Jung-Sung Cheng, Hsinchu (TW);
Yi-Wen Chen, Hsinchu (TW);
Ming-Hsien Hsieh, Hsinchu (TW);
Zhan-Sheng Lin, Hsinchu (TW);
Chang-Lin Hu, Hsinchu (TW); **Shan-Yi Yang**, Hsinchu (TW)

5,373,317 A * 12/1994 Salvati et al. 348/65
D358,471 S * 5/1995 Cope et al. D24/138
7,029,439 B2 * 4/2006 Roberts et al. 600/199
D533,939 S * 12/2006 Root et al. D24/133
7,214,183 B2 * 5/2007 Miyake 600/131
D594,555 S * 6/2009 Hsu D24/137
D618,346 S * 6/2010 Sisko et al. D24/137
D618,794 S * 6/2010 Onuma D24/137
D619,708 S * 7/2010 Ellman D24/150
D635,256 S * 3/2011 Huang D24/151
D635,257 S * 3/2011 Ellman D24/137
D636,080 S * 4/2011 Goldberg D24/137
D637,715 S * 5/2011 Clarke et al. D24/137
D637,717 S * 5/2011 Clarke et al. D24/137

* cited by examiner

(73) Assignee: **Medimaging Integrated Solution, Inc.**,
Hsinchu (TW)

Primary Examiner — T. Chase Nelson

Assistant Examiner — Mark Cavanna

(**) Term: **14 Years**

(74) *Attorney, Agent, or Firm* — Muncy, Geissler, Olds & Lowe, PLLC

(21) Appl. No.: **29/401,879**

(57) **CLAIM**

The ornamental design for a digital diagnostic device, as shown and described.

(22) Filed: **Sep. 16, 2011**

(51) **LOC (9) Cl.** **24-01**

(52) **U.S. Cl.** **D24/186; D24/137**

(58) **Field of Classification Search** D24/186,
D24/133, 135, 137, 138, 150–151; 600/131,
600/184–200; 606/191–196; 320/114; 348/65
See application file for complete search history.

DESCRIPTION

FIG. 1 is a perspective view of a digital diagnostic device showing our new design;

FIG. 2 is a front view thereof;

FIG. 3 is a rear view thereof;

FIG. 4 is a left side view thereof;

FIG. 5 is a right side view thereof;

FIG. 6 is a top view thereof;

FIG. 7 is a bottom view thereof;

FIG. 8 is a front left perspective view thereof;

FIG. 9 is a bottom left perspective view thereof; and,

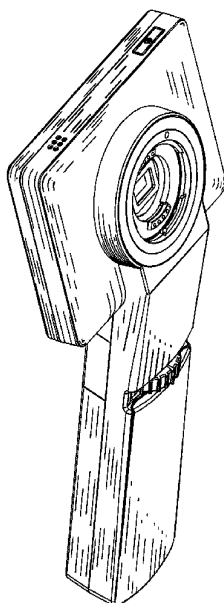
FIG. 10 is a detail top left perspective view thereof.

(56) **References Cited**

U.S. PATENT DOCUMENTS

D222,925 S * 2/1972 Hopewell D24/137
3,698,387 A * 10/1972 Moore et al. 600/200
4,147,163 A * 4/1979 Newman et al. 600/200
D286,814 S * 11/1986 Brainard et al. D24/137
D288,960 S * 3/1987 Riester D24/137
D289,197 S * 4/1987 Ware et al. D24/137
5,177,424 A * 1/1993 Connors 320/114

1 Claim, 10 Drawing Sheets



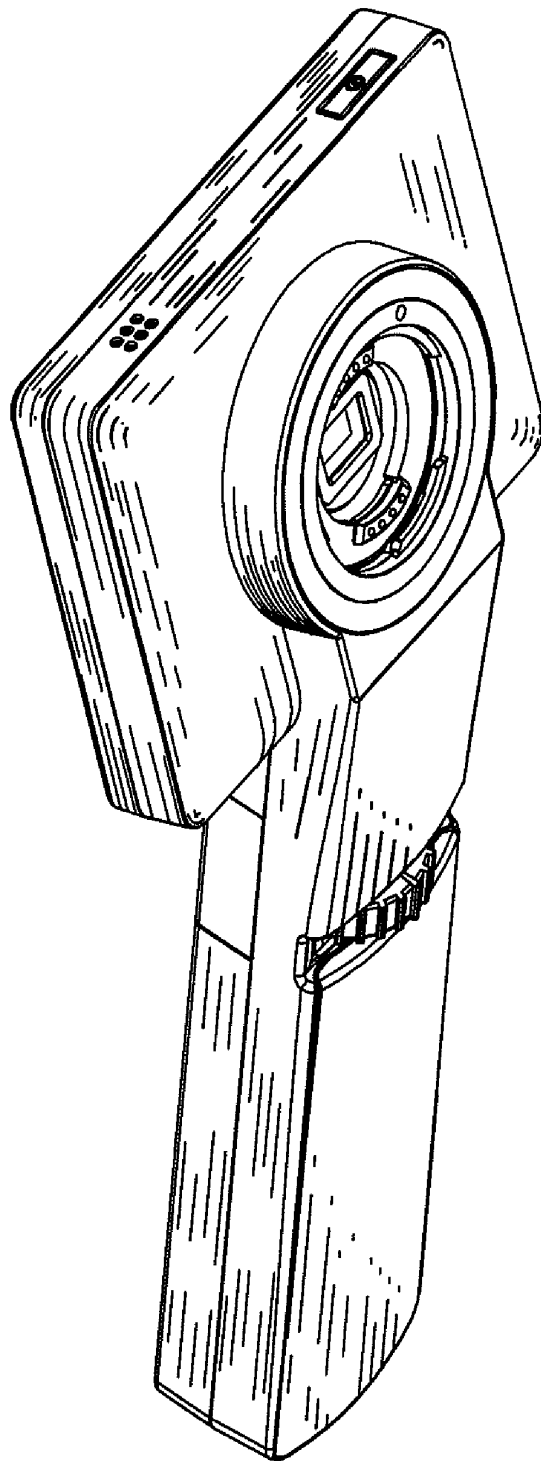


FIG.1

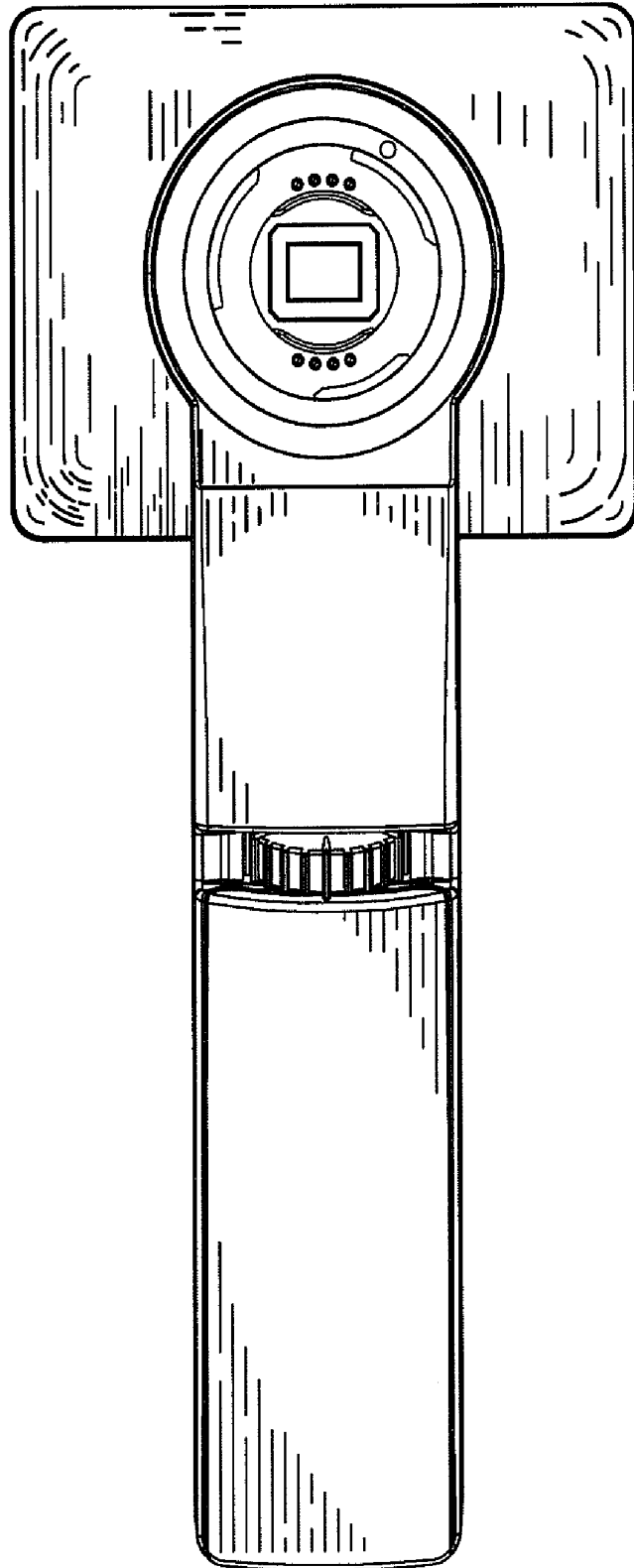


FIG.2

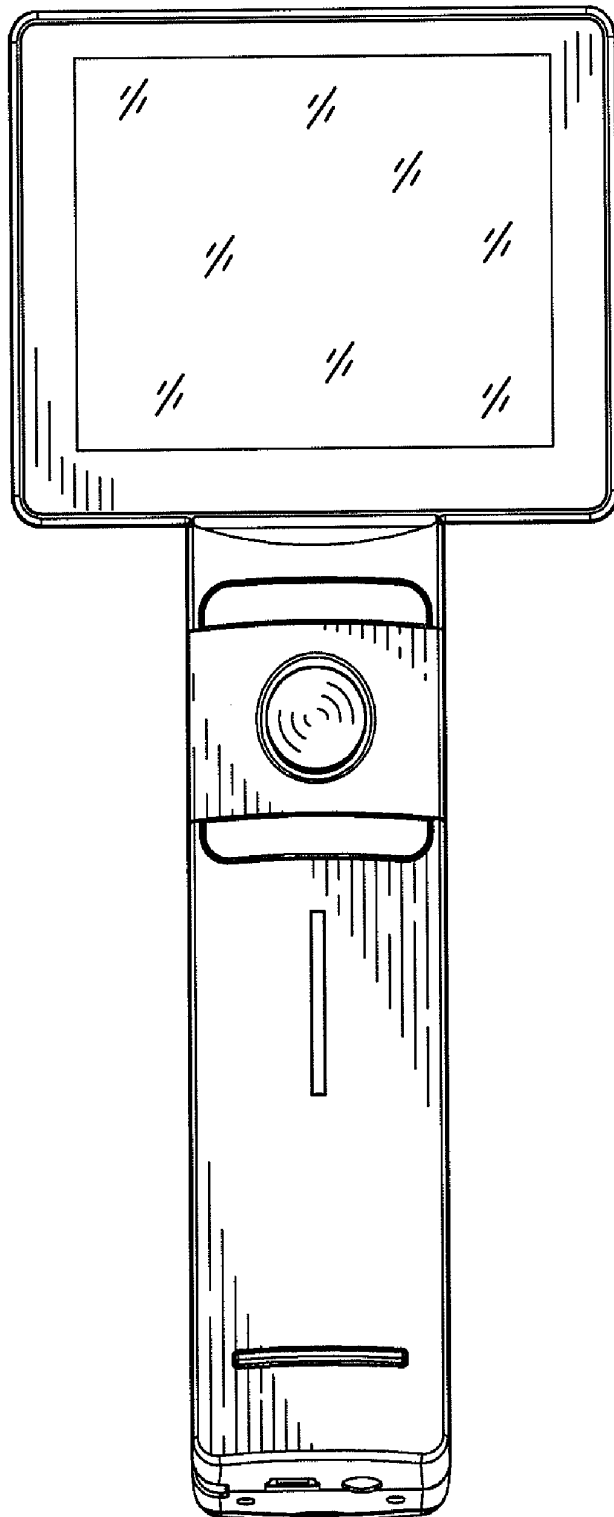


FIG.3

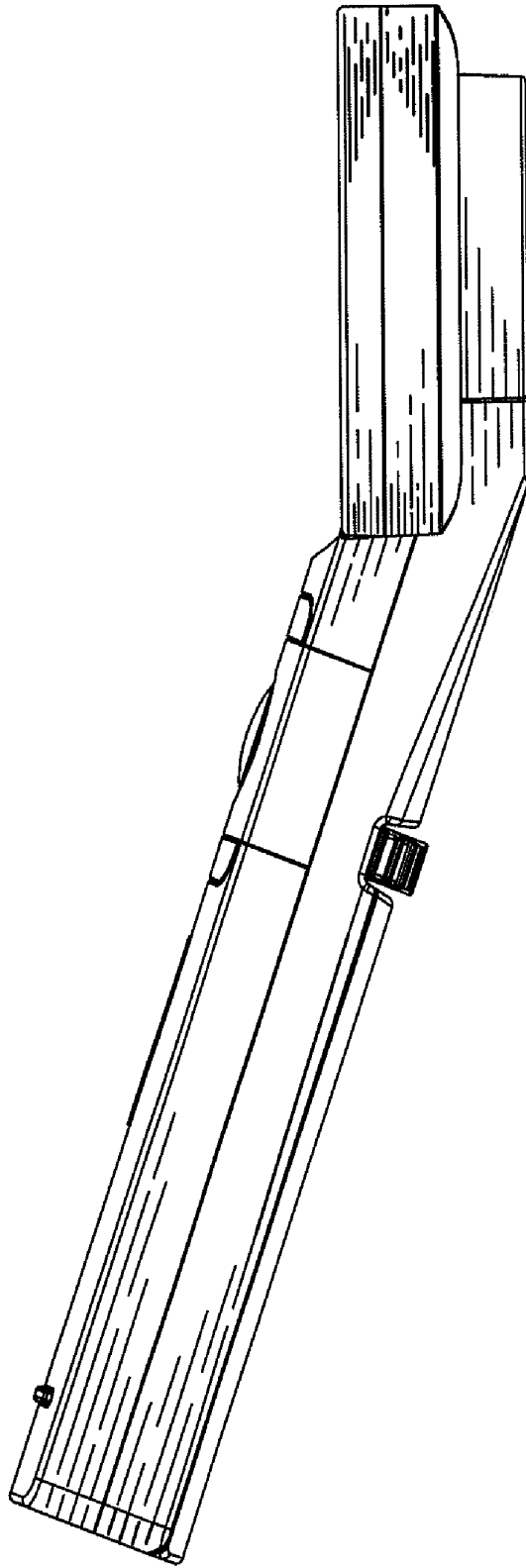


FIG.4

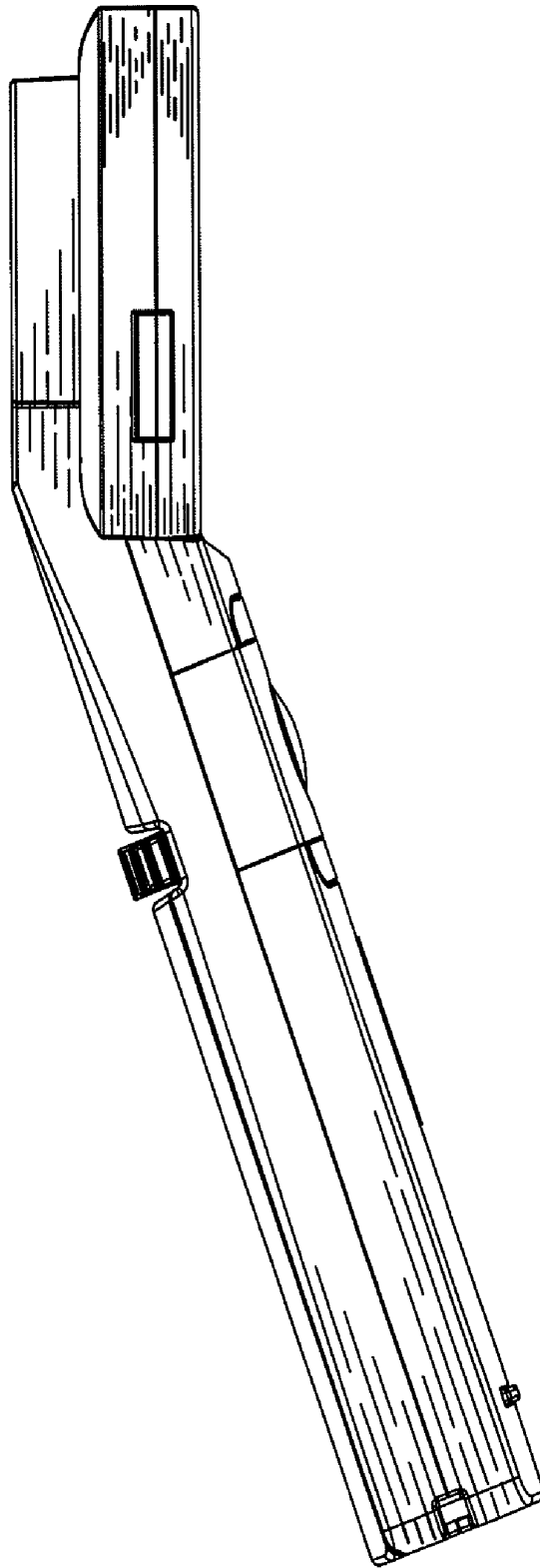


FIG.5

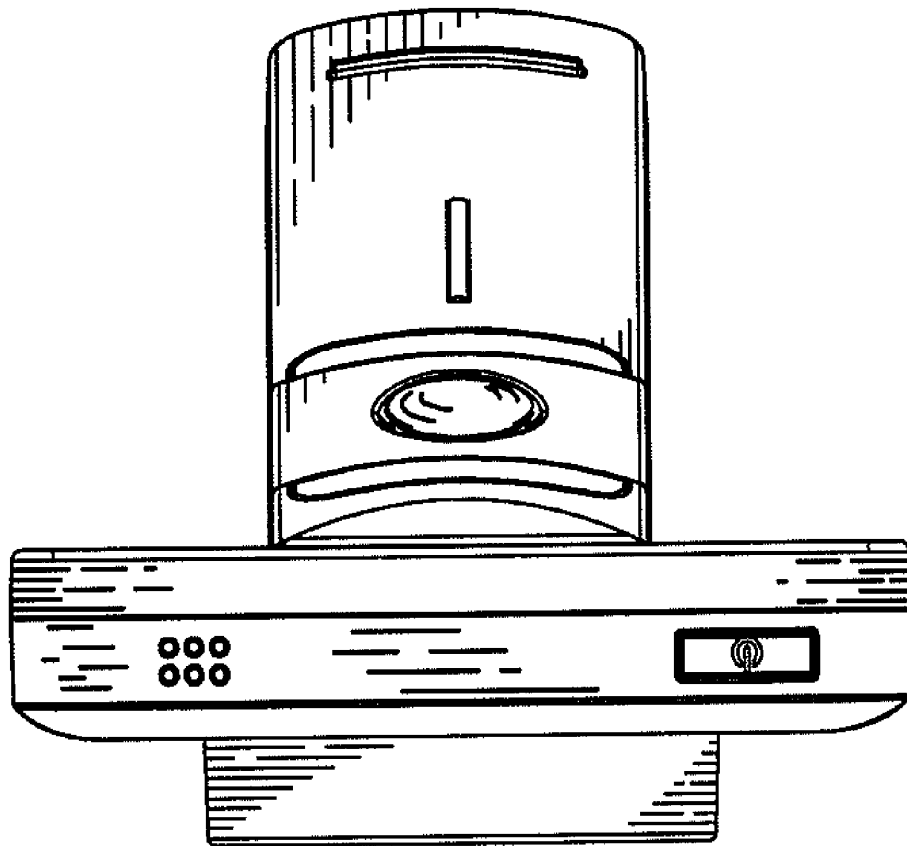


FIG. 6

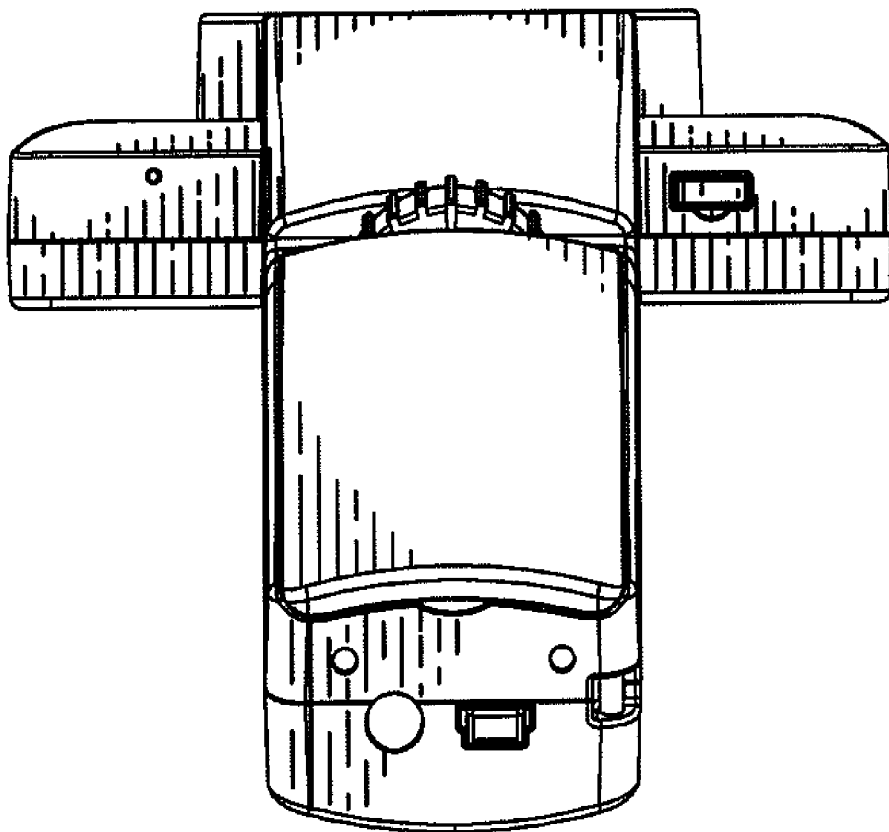


FIG.7

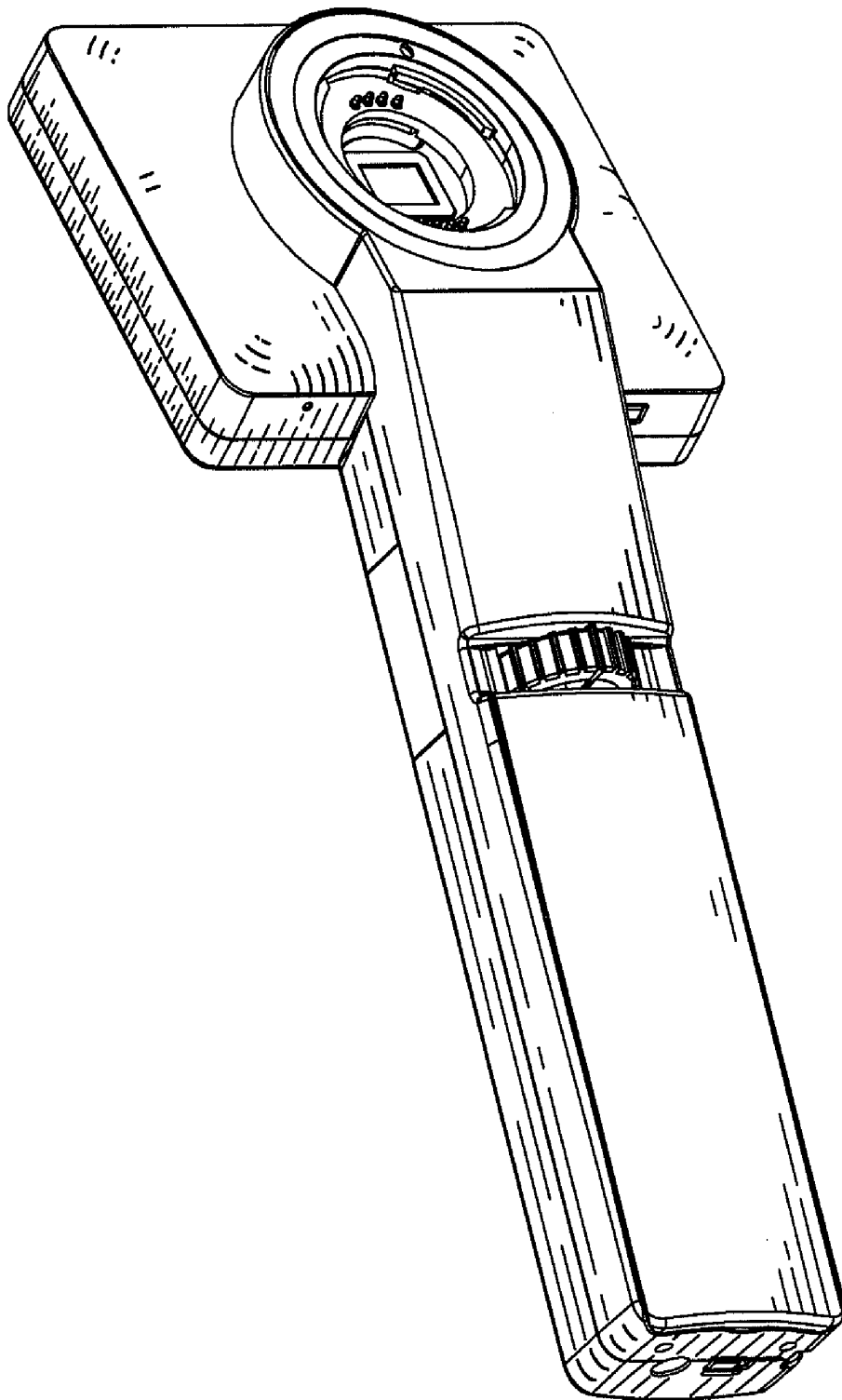


FIG.8

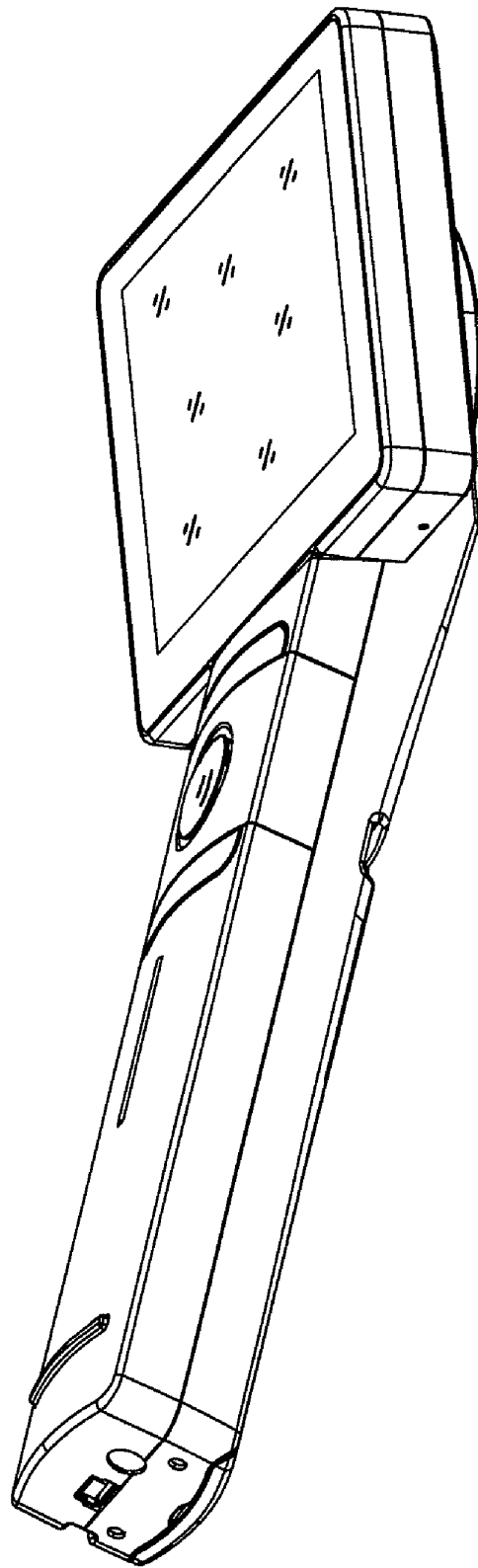


FIG.9

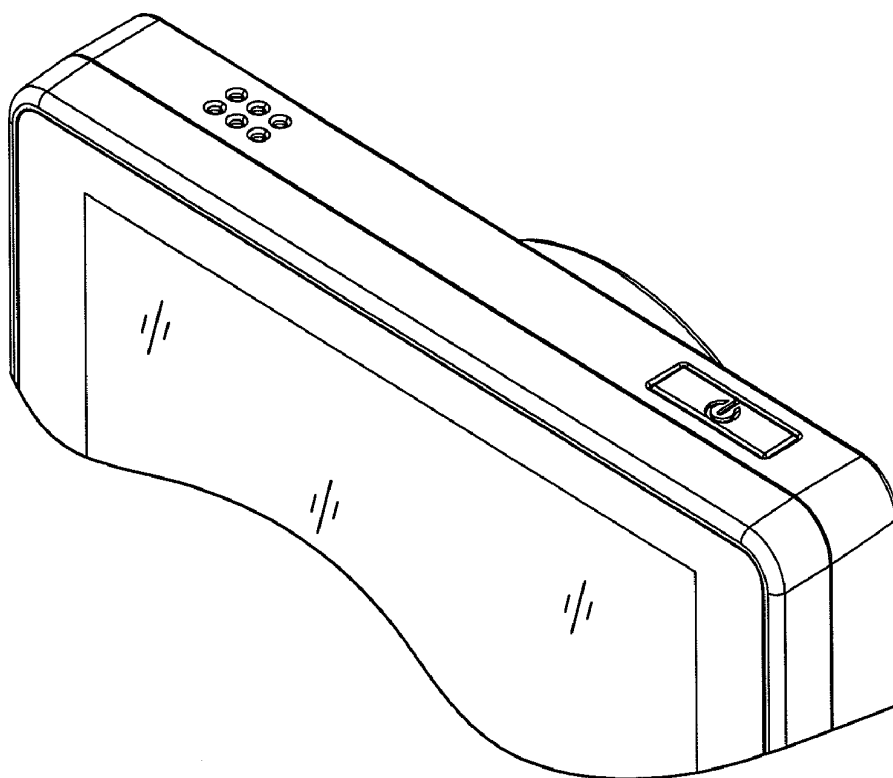


FIG.10